

# Turbine Series - 500MA/500MAM

# FUEL

## Specifications:

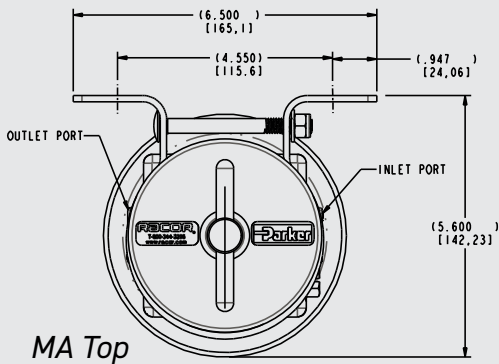
**Height:** MA - 10.82" (27.48 cm)  
 MAM - 10.77" (27.36 cm)  
**Width:** 4.15" (10.5 cm)  
 with Bracket 6.5" (16.51 cm)  
**Depth:** 4.15" (10.5 cm)  
 with Bracket 5.17" (13.13 cm)  
**Weight:** MA - 4.0 lbs (1.8 kg)  
 MAM - 5.0 lbs (2.2 kg)  
**Ports:** 3/4"-16 UNF (SAE J1926)  
**Service Clearance (Top):** 4.0" (10.16 cm)  
**Vacuum Installation Recommended**  
**Maximum Pressure:** 15 psi (1.03 bar)  
**Max Flow Rate:** 60 gph (227 lph)

## Create a Part Number

Housing Type	Assembly Options	Filtration Rating
Turbine Model - Marine Standard 3/4"-16 Ports Clear Bowl/Heat Shield	Metal Bowl Option	2 micron 10 micron 30 micron
500MA	M	2 10 30

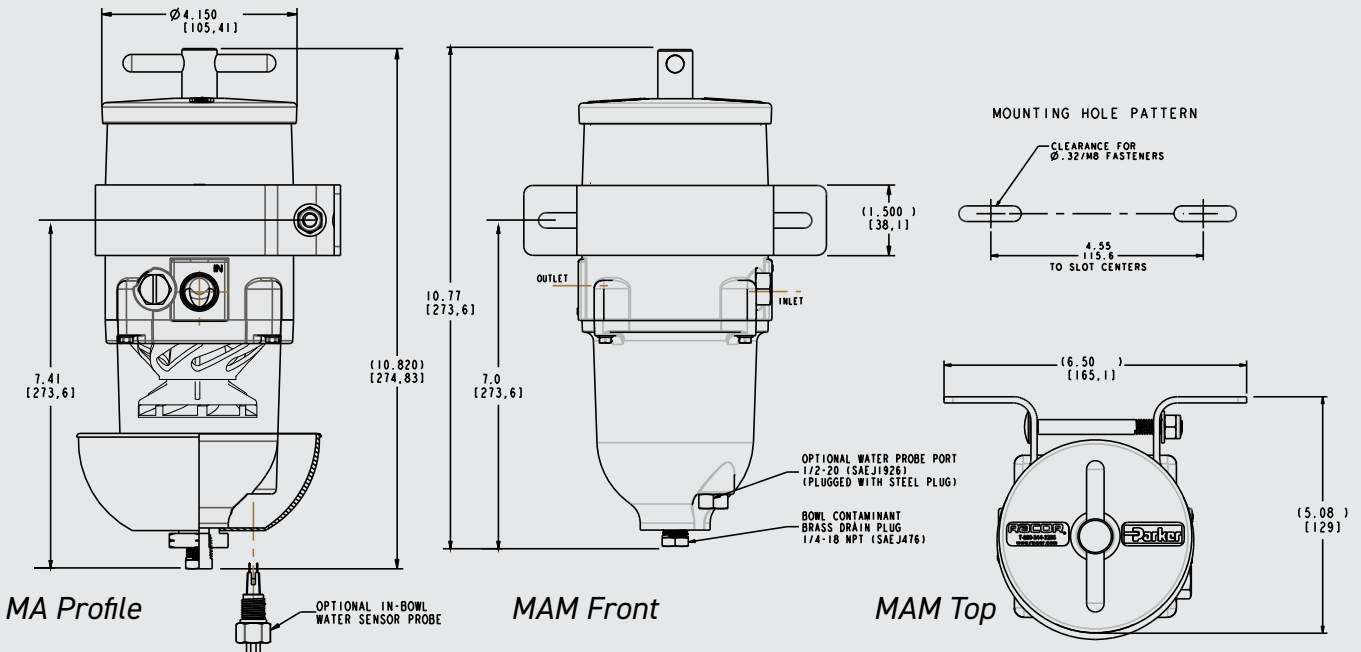
**RACOR®**

## Dimensions:



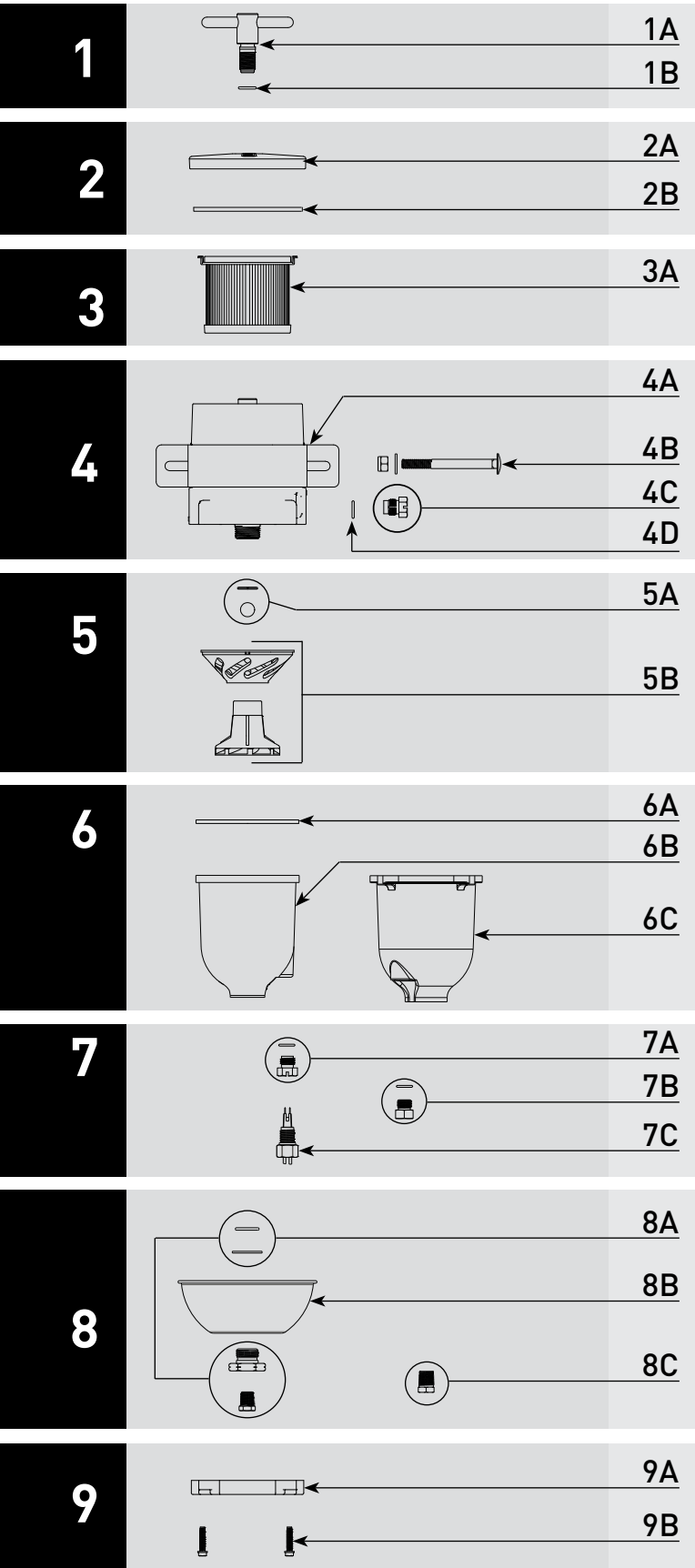
ASSEMBLY	DESCRIPTION
500MA2	Marine - 500 Turbine Assy., 2 micron Filter
500MA10	Marine - 500 Turbine Assy., 10 micron Filter
500MA30	Marine - 500 Turbine Assy., 30 micron Filter
500MAM2	Marine - Metal Bowl - 500 Turbine Assy., 2 micron Filter
500MAM10	Marine - Metal Bowl - 500 Turbine Assy., 10 micron Filter
500MAM30	Marine - Metal Bowl - 500 Turbine Assy., 30 micron Filter

SINGLE ASSEMBLY



# PARTS

# Turbine - 500MA/500MAM



Part #		Description
1A	RK23183	T-handle Kit - <b>Includes 1B</b>
	RK19671	<b>Optional</b> - T-handle Vacuum Gauge Kit - <b>For 500MA/MAM Assemblies Manufactured After 2002</b>
1B		T-handle O-ring
2A	RK15078-02	500MA/MAM Lid Kit - <b>Includes 1B and 2B</b>
2B		Lid Gasket - <b>Included in 10A</b>
3A	2010SM-OR	Replacement Element 2 micron - <b>Includes 1B and 2B</b>
	2010TM-OR	Replacement Element 10 micron - <b>Includes 1B and 2B</b>
	2010PM-OR	Replacement Element 30 micron - <b>Includes 1B and 2B</b>
4A	RK15441-01	Clamp Bracket Kit - <b>Includes (1) Bolt, (1) Washer, and (1) Nut</b>
4B	RK 11838	Carriage Bolt Kit - <b>Includes (2) Bolt, (2) Washer, and (2) Nut</b>
4C	RK 11-1679	Feed-thru Plug Kit - <b>Includes 4D</b>
4D		Plug O-ring - <b>Included in 10A</b>
5A	RK 15010B	Checkball and Gasket Kit
5B	RK 15013D	Centrifuge and Baffle Kit - <b>Includes 5A and 6A</b>
6A		Bowl Gasket - <b>Included in 10A</b>
6B	RK 15279-01	Bowl Kit (Clear) - <b>Includes 6A, 7A and 8A Seal/Gasket</b>
6C	RK 15301-02	Bowl Kit (Metal) - <b>Includes 6A, 7B, 8C and 9B</b>
7A	RK 20126	Bowl Plug Kit (MA) - Nylon - 1/2"-20 UNF
7B	RK 20022	Bowl Plug Kit (MAM) - Metal - 1/2"-20 UNF
7C	RK 21069	WIF Probe Kit - 1/2"-20 UNF - 2-wire (MA) - <b>Requires 10B</b>
	RK23191	WIF Probe Kit (Stainless Steel) - 1/2"-20 UNF - 2-wire (MAM) - <b>Requires 10B</b>
8A	RK 11-1910	Drain Plug Kit (MA)
8B	RK 15104	Heat Deflector (MA) - <b>Includes 8A</b>
8C		Drain Plug (MAM) - <b>Contact Technical Support</b>
9A	RK 15035-01	Bowl Ring - (For MA Only - White) <b>Includes 6A</b>
9B	RK 15081	Bowl Fasteners ( <b>set of 4</b> )
<b>Accessories and Parts Available (Not Shown)</b>		
10A	RK 15211	<b>Complete Seal Service Kit - 500 Series Filters</b>
10B	RK 14329	Water Detection Module - 12 vdc
	RK 14321	Water Detection Module - 24 vdc
10C	RK 19492	Shut-off Valve Drain Kit - UL Listed

Model  
MA



Model  
MAM

